

SONY

HXR-MC2500 Solid-State Memory Camcorder



A new shoulder-style HD camcorder offers strong night or indoors performance and stable shooting for long events

Highly-sensitive Exmor® R CMOS sensor and built-in LED light

The HXR-MC2500 is capable of shooting clearly even in low-light or indoor environments. Its highly-sensitive Exmor R CMOS sensor adopts a back-illuminated technology that enables the image sensor to utilize indirect light more efficiently (minimum illuminance of 0.8 lux*), helping the videographer to achieve rich image quality even during low-light shooting situations. Moreover, the HXR-MC2500 is also equipped with a convenient built-in LED light for valuable extra illumination.



* Manual setting mode: Shutter Speed - 1/15 sec, F1.8, Gain33dB

Wide angle view, high contrast 1.44 million dots OLED viewfinder and 0.92 million dots 3-inch* wide LCD panel for easy framing of shooting objects

The new camera is equipped with an OLED Tru-Finder™ electronic viewfinder, offering a high resolution of approximately 1.44 million dots with high contrast levels. Sony's proprietary viewfinder technologies allow for better tonal reproduction and more detailed picture information of shooting objects. In addition, there is also the built-in 3-inch* wide high resolution LCD panel (approximately 0.92 million dots) for crisp and bright views.

Wi-Fi/NFC functions for seamless connection to smartphones

The HXR-MC2500 can connect to mobile devices such as smartphones or tablets via a Wi-Fi® connection, enabling monitoring and remote control functions such as start/stop recording, zoom control, iris control and touch auto focus. Furthermore, it is also NFC-capable (Near Field Communications) to allow easy, one-touch wireless connections to compatible mobile devices.

Ideal for long event shooting achieved by embedded 32GB internal flash memory and low power consumption

A 32GB internal flash memory storage system on board of the HXR-MC2500 enables longer duration recording of more than 150 minutes. In addition, by using a combination of the internal flash memory and memory card in the MS/SD slot, recording functions such as "Relay" and "Simultaneous" for backup can be available. When Sony's L-Series InfoLithium batteries (such as the optional NP-F970) are used, the HXR-MC2500 is capable of continuous long recording of up to 14 hours. This is a critical feature for important occasions where operators may not have the luxury to stop the camera, such as during the filming of wedding ceremonies or other live events.

More Professional Features for Event Shooting

26.8 mm Wide-Angle Lens - one of the widest angle lenses in this class of camera, which enables wide-angle shooting even in small places

DV Memory - in addition to AVCHD™ Full HD format support, SD format support includes DV memory

Multi-Interface (MI) Shoe - expands options to use accessories without cables, such as the UWP-D11 wireless microphone receiver and XLR audio input by XLR adapter

BNC Composite Terminal - enables the use of BNC cables which helps prevent cable disconnect during critical shooting occasions such as live recording

TC/UB Implementation - Time Code and User Bit are included for situations like multi-camera shoots

* Viewable area measured diagonally



Specifications

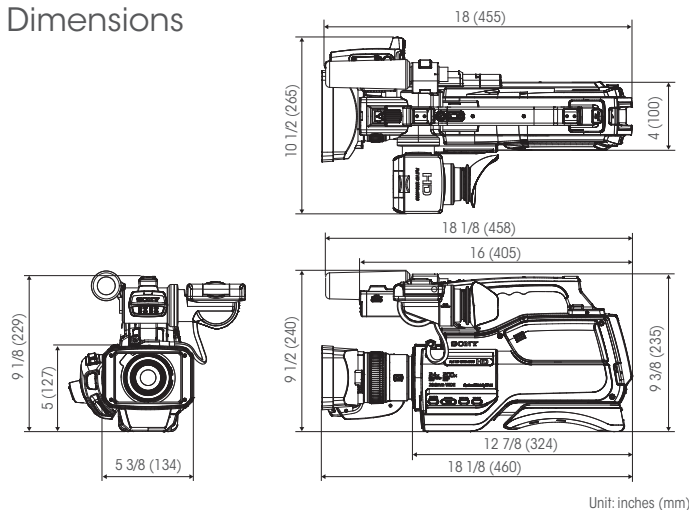
HXR-MC2500 (NTSC)	
General	
Weight	Approx 6 lb 2.8 oz (2.80 kg) (body) Approx. 6 lb 13.3 oz (3.10 kg) (with lens hood, Lens Cap, Microphone, Eyecup, Shoe Cap, NP-F570 battery)
Dimensions (W x H x D)	10 1/2 x 9 3/8 x 18 inches (265.0 x 235.0 x 457.0 mm) (body) 10 1/2 x 9 1/2 x 18 1/8 inches (265.0 x 240.0 x 460.0 mm) (With the accessories (lens hood, Lens Cap, Microphone, Eyecup), excluding the grip belt and including the projecting parts)
Power Requirements	7.2 V (battery pack); 8.4 V (AC Adaptor)
Power Consumption	Approx. 3.3 W (with EVF On, Video light Off) Approx. 3.3 W (with LCD monitor On, Video light Off)
Operating Temperature	0°C to 40°C (0°F to 104°F)
Storage Temperature	-4°F to +140°F (-20°C to +60°C)
Battery Operating Time (Continuous Recording Time)	Approx. 285 min with NP-F570 battery (video light Off) Approx. 135 min with NP-F570 battery (video light On)
Recording Format (Video)	HD MPEG-4 AVC/H.264 AVCHD 2.0 format compatible SD DV(AVI)
Recording Format (Audio)	HD Linear PCM 2ch, 16bit, 48kHz / Dolby Digital 2ch, 16bit, 48kHz SD Linear PCM 2ch, 16bit, 48kHz
Recording Frame Rate	HD PS (28Mbps) 1920 x 1080/60P, 16:9 FX (24Mbps) 1920 x 1080/60i, 30p, 24p, 16:9, 1280 x 720/60p, 16:9 FH (17Mbps) 1920 x 1080/60i, 30p, 24p, 16:9, 1280 x 720/60p, 16:9 HQ (9Mbps) 1280 x 720/60p, 16:9 SD DV (25Mbps) 720 x 480/60i, 16:9, 4:3
Recording/Playback Time	Approx. 145 min (Internal Media, PS, LPCM) Approx. 170 min (Internal Media, FX, LPCM) Approx. 225 min (Internal Media, FH, LPCM) Approx. 380 min (Internal Media, HQ, LPCM) Approx. 140 min (Internal Media, DV, LPCM)
Lens	
Lens Mount	Fixed
Zoom Ratio	12x (Optical), 24x Clear image zoom, 200x Digital zoom, servo/manual
Focal Length	f = 2.9-34.8 mm equivalent to f = 26.8-321.6 mm on 35 mm lens (16:9) equivalent to f = 32.8-393.6 mm on 35 mm lens (4:3)
Iris	F1.8 - F3.4 auto/manual selectable
Focus	AF/MF selectable, 10 mm to ∞ (Wide), 800 mm to ∞ (Tele)
Image Stabilizer	ON (Standard/ACTIVE)/OFF selectable, shift lens
Filter Diameter	M37 mm
Camera Section	
Imaging Device (Type)	1/3.95 type (4.6 mm) back-illuminated Exmor R CMOS Sensor
Imaging Device (Pixel Count)	Approx. 6590K pixels
Effective Picture Elements	Approx. 6140K pixels (16:9)/Approx. 4600K pixels (4:3)
Minimum Illumination	1.6lux (MAN setting: SS 1/30sec, Iris F1.8, Gain 33dB) 0.8lux (MAN setting: SS 1/15sec, Iris F1.8, Gain 33dB)
Shutter Speed	1/8 - 1/10,000 (1/6 - 1/10,000 when shooting with 24p)
White Balance	Pre-set (Indoor, Outdoor, Color temperature set range: 2300-15000K), Onepush A, B, Auto selectable
Gain	0, 3, 6, 9, 12, 15, 18, 21, 24, 27, 30, 33 dB, Auto Selectable

HXR-MC2500 (NTSC)	
Input/Output	
Composite Output	BNC (x1), NTSC
Audio Output	RCA pin
USB	mini-AB USB2.0 Hi-speed/mass-storage/Host
Headphone Output	Stereo mini jack ø 3.5mm (x1)
Speaker Output	Monaural
DC Input	DC jack
Audio Input	Stereo mini jack ø 3.5mm (x1)
Remote	Stereo mini mini jack ø 2.5 mm (x1)
HDMI Output	Type A (x1)
Accessory Shoe	Multi Interface Shoe (x1), Cold Shoe (x2)
Monitoring	
Viewfinder	1.0 cm (0.39 type) OLED Approx. 1.44M dots
Built-in LCD Monitor	7.5 cm (3.0 type) Approx. 921K dots
Built-in Microphone	
Built-in Microphone	Omni-directional stereo electret condenser microphone.
Media	
Internal Memory	Flash Memory 32GB
Type	Memory Stick Pro Duo™ and SD/SDHC/SDXC compatible
Built-in LED Light	
Luminous intensity	1.0m / Approx. 200 lx, 0.5m / Approx. 800lx
Lighting angle	Approx. 30°
Color temperature	Approx. 5,500K
WiFi	
Supported format	IEEE 802.11 b/g/n
Frequency band	2.4 GHz bandwidth
Security	WEP/WPA-PSK/WPA2-PSK
NFC	NFC Forum Type 3 Tag compliant
Supplied Accessories	
	Lens hood (1)
	Lens cap (1)
	Shoe Cap (1)
	EVF eyecup (1)
	Microphone (1)
	Wind screen (1)
	Video Light Diffuser (1)
	USB adaptor cable (1)
	Rechargeable battery pack (NP-F570) (1)
	CD-ROM: Operating instructions in PDF (1)
	Operating instructions (1)
	AC-1100C AC adaptor (1)
	AC Cable (1)
	Warranty (1)

Accessories

							
2NP-F970/B Rechargeable Battery Pack	ACC-L1BP AC Adaptor/Charger/Battery Kit	RM-1BP Remote Commander Unit	LED Battery Video Light	ECM-CG50BP Shotgun Microphone	UWP-D11 Wireless Microphone Package	UWP-D12 Wireless Microphone Package	SMAD-P3 MI Shoe Mount Adaptor * required for cable-free operation with UWP-D11/UWP-D12
							
XLR-K1M XLR adapter kit	ECM-XYST1M Stereo Microphone	Battery Video IR light	ECM-W1M Wireless Microphone	Shoe Adapter	SF-128UX/TQN (128 GB, 64 GB) SDXC, UHS-1 U3 Memory Card	SF-64UZ/TQN (64 GB) SDXC, UHS-1 U3 Memory Card	MS-HX32B (32 GB, 16 GB, 8 GB) Memory Stick PRO-HG Duo™ Media

Dimensions



©2014 Sony Electronics Inc. All rights reserved.
 Reproduction in whole or in part without written permission is prohibited.
 Features and specifications are subject to change without notice.
 Weights and dimensions are approximate.
 Sony, Memory Stick, Exmor, Tru-Finder, Memory Stick PRO-HG Duo, Remote Commander and the Sony logo are trademarks of Sony.
 AVCHD and AVCHD logo are trademarks of Panasonic Corporation and Sony Corporation.
 All other trademarks are the property of their respective owners.

Sony Electronics Inc.
 1 Sony Drive
 Park Ridge, NJ 07656
 sony.com/nxcam