



# Important Notes!

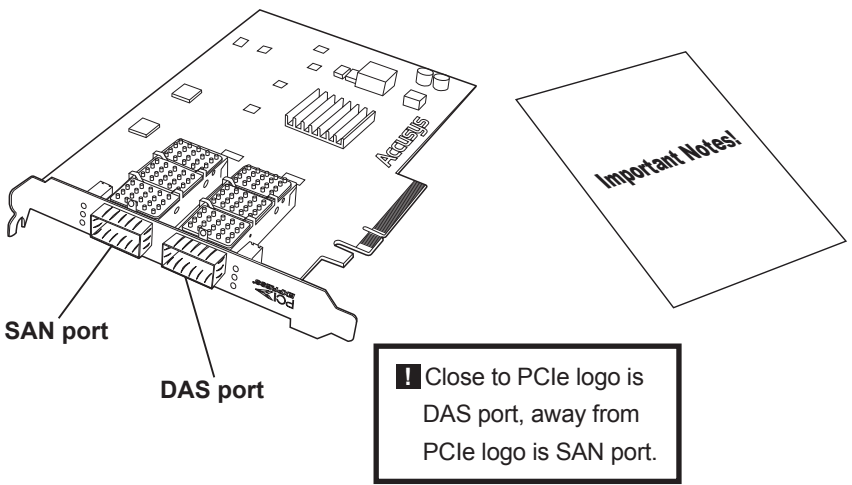
Check when you install Dual port QSFP HBA card " Z2M-G3" ( PCIe3.0)

v2.0 (Dec. 16th, 2014)

**Accusys**<sup>®</sup>  
The RAID Architects

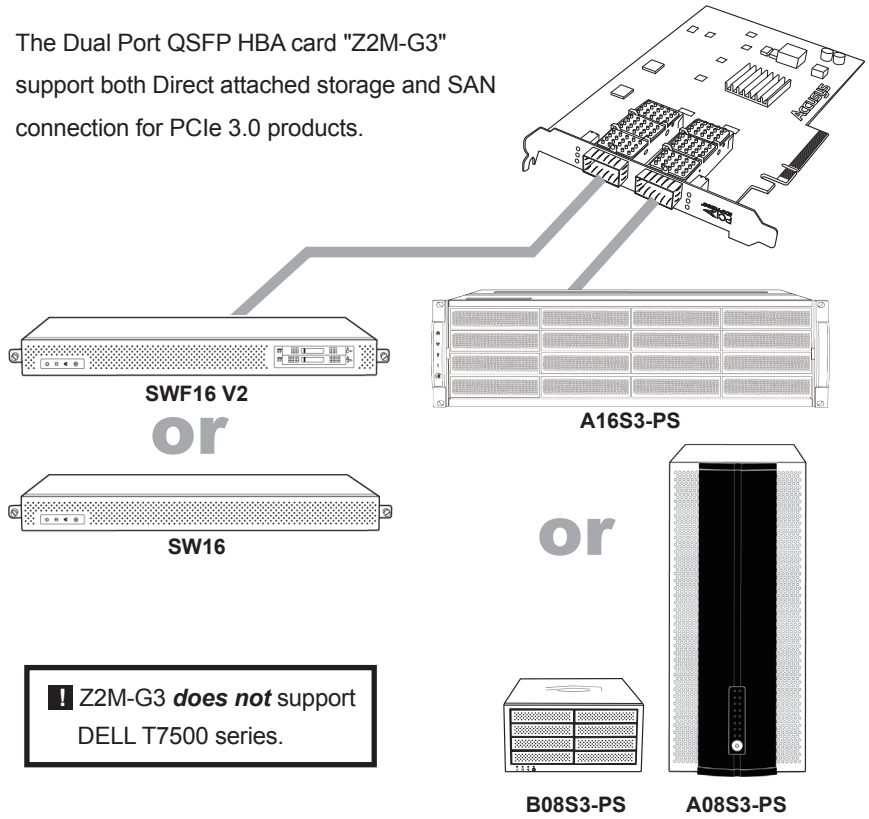


# 1. What should be in the box?



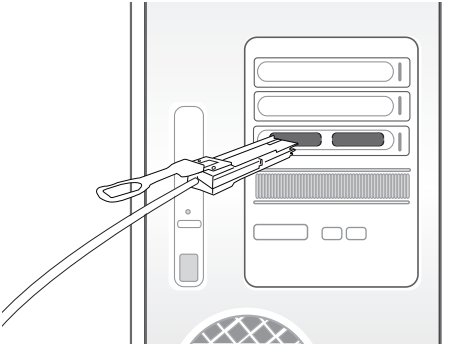
# 2. What "Z2M-G3" supports?

The Dual Port QSFP HBA card "Z2M-G3" support both Direct attached storage and SAN connection for PCIe 3.0 products.



! Z2M-G3 **does not** support DELL T7500 series.

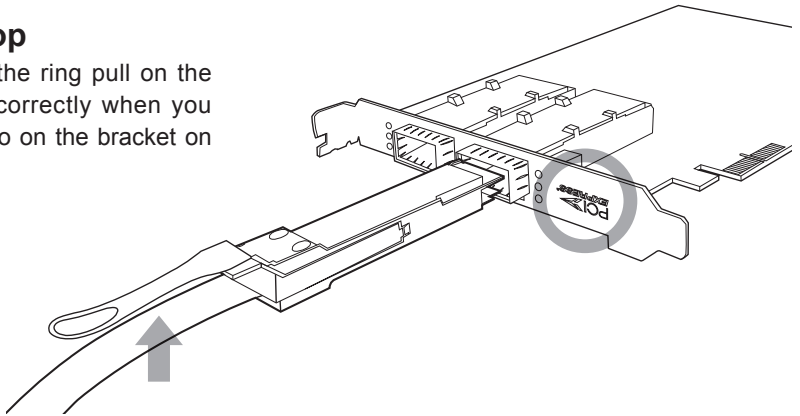
### 3. Cable connection of "Z2M-G3"



When you insert the cable to one of the QSF dual ports correctly, you will feel a click that locks the connector.

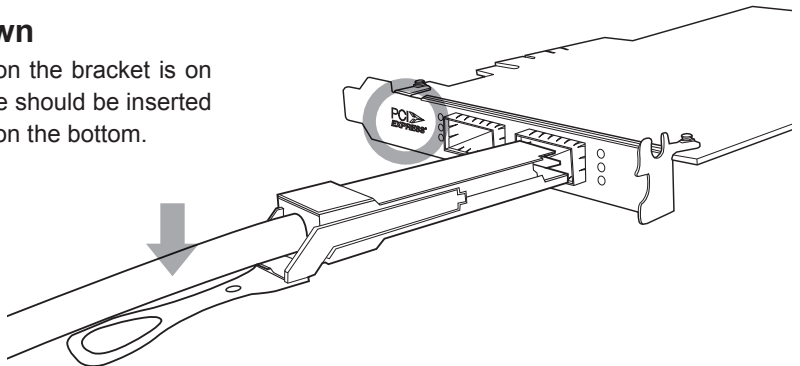
#### Right and Top

The cable, with the ring pull on the top, is inserted correctly when you see the PCIe logo on the bracket on the right side.



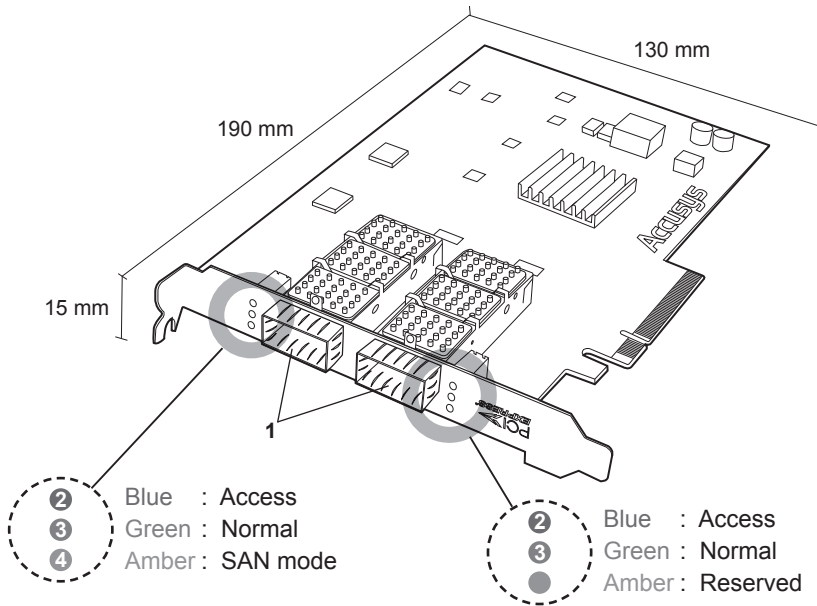
#### Left and Down

If the PCIe logo on the bracket is on the left side, cable should be inserted with the ring pull on the bottom.



## 4. Power on storage, once ready, power on workstation

### QSFP HBA Status and Indicator LEDs



No.	Name	Description
1	QSFP Connector	For connection with the Host Port. Close to PCIe logo is DAS port, away from PCIe logo is SAN port.
2	Access LED Indicator	Flashing blue indicates data transfer is occurring.
3	Link LED Indicator	Steady green indicates a PCIe 3.0 link. Flashing green indicates a PCIe 2.0 or lower.  Off (no light) indicates a link with trouble or no link.
4	SAN mode Indicator	SAN mode

## 5. Z2M-G3 LED indicator on HBA card

- LED 1: HBA card properly connect to the PCIe slot on the motherboard.
- LED 2: The upper QSFP connector is active as SAN mode.
- LED 3: The lower QSFP connector is active as DAS mode.
- LED 4: The HBA card is offline, system disconnected.

