

Telephoto HD ENG lens HA23x7.6BERM/BERD



Inspiring images... remarkable value! The HA23x7.6BE reaches new levels of image quality and production efficiency. With an extended zoom of 23x times and a focal length starting from 7.6 mm at the wide end, the lens is able to zoom out to 175 mm and capture extreme telephoto shots. The excellent optical and mechanical specifications, combined with the compact size and light weight, make the HA23x7.6BE the perfect com-

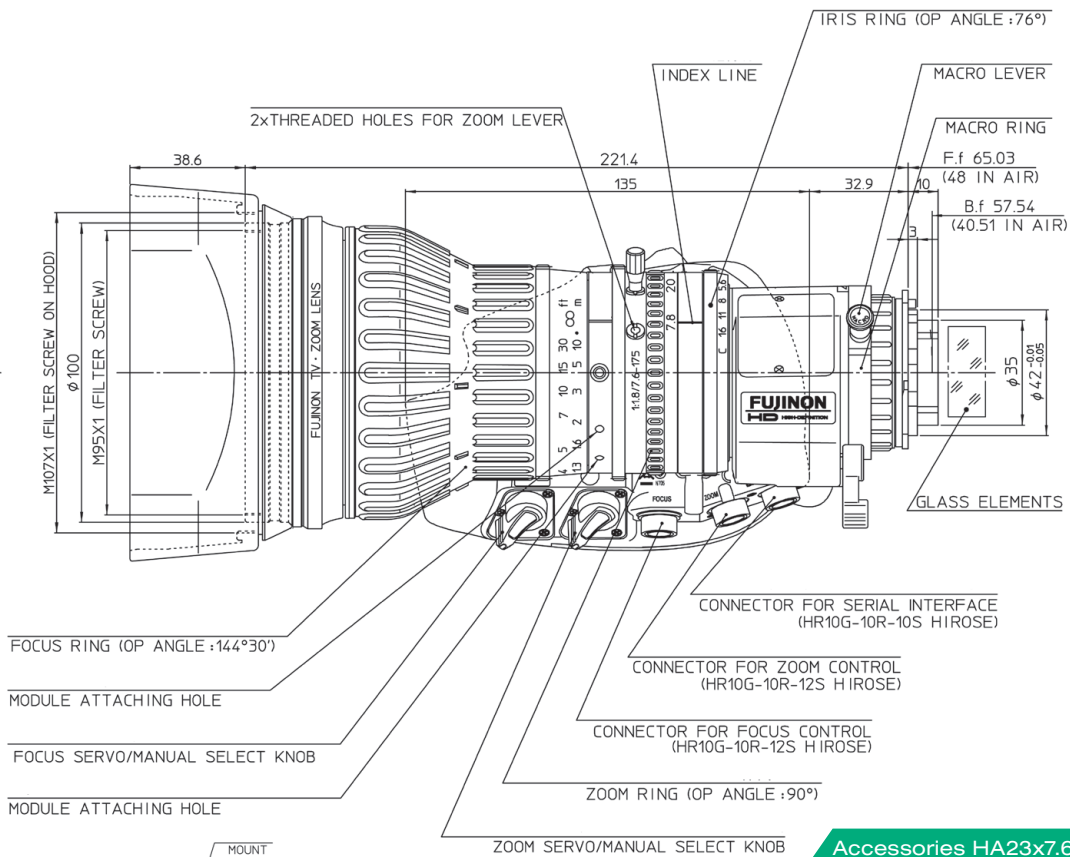
panion for routine use in a multitude of studio and field applications: like feature films, commercials, sports events, factual and wildlife documentaries. The optical values have considerably been improved, showing visibly sharp and brilliant images from the centre up to the corners.

The latest glass materials with ultralow dispersions and high refractive indices combined with special EBC coatings (Electron Beam Coating) suppress ghosting and flare, secure high contrast and resolution while eliminating chromatic aberrations to a minimum.

The HA23x7.6BE combines superior optical performance with an increased zoom range. Fujinon. To see more is to know more.

Specifications/Lens		HA23x7.6BERM/BERD	
Zoom ratio		23x	
Extender		2x	
Focal length	w/o extender	7.6–175 mm	
Focal length	w/ extender	15.2–350 mm	
Maximum relative aperture		F1.8 (7.6–122 mm) / F2.65 (175 mm)	
Angular field of view	16:9 Aspect ratio (9.59 x 5.39 mm)	(1x) 7.6 mm: 64°30' x 39°03' (1x) 175 mm: 3°08' x 1°46'	(2x) 15.2 mm: 35°01' x 20°07' (2x) 350 mm: 1°34' x 0°53'
Minimum Object Distance M.O.D.		0.8 m	
Object dimensions at M.O.D.	16:9 Aspect ratio (9.59 x 5.39 mm)	(1x) 7.6 mm: 915 x 514 mm (1x) 175 mm: 41 x 23 mm	(2x) 15.2 mm: 473 x 266 mm (2x) 350 mm: 21 x 12 mm
Size Ø x Length		Ø 100 x 223.6 mm	
Macro		Yes	
Filter size		M95 x1 / M107 x1 (filter attached to lens hood)	
Weight (with lens hood)		1.88 kg (RM) / 1.95 kg (RD)	
Operating system		RM / RD	
Features ²		IF QZ ZL*	
Options		QF Vformat VC	
Memo		G0-Technology, Inner Focus, QuickZoom, Zoom Limit	

*Controlled by Digital zoom demand ² 2nd page: legend for logos



Accessories HA23x7.6

Filters

▶ EFL-95 UV	UV	▶ EFL-107 UV
▶ EFL-95 SL	Skylight	▶ EFL-107 SL
▶ EFL-95 N2	Neutral density 2	▶ EFL-107 N2
▶ EFL-95 N4	Neutral density 4	▶ EFL-107 N4
▶ EFL-95 N8	Neutral density 8	▶ EFL-107 N8
▶ EFL-95 CS	Cross screen	▶ EFL-107 CS
▶ EFL-95 SN	Snow cross	▶ EFL-107 SN
▶ EFL-95 SU	Sunny cross	▶ EFL-107 SU
▶ EFL-95 SF	Soft focus	▶ EFL-107 SF
▶ EFL-95 PL	Polarizing	▶ EFL-107 PL

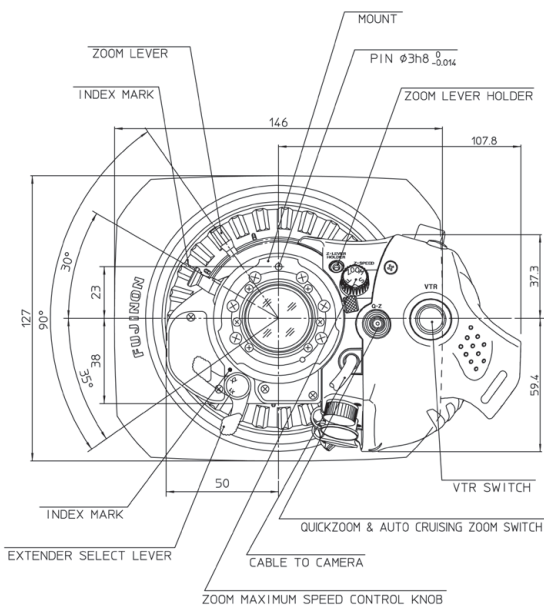
Converters Front-mounted, zooming possible, no loss in F-number of master lens

▶ TCV-H100	Tele converter (1.5x)
▶ WCV-H100	Wide converter (0.8x)

Attachments Front-mounted, zooming not possible, no loss in F-number of master lens, use at wide-angle position

▶ WAT-H100	Wide attachment (0.7x)
▶ F-ATH100	Fish-Eye attachment (0.57x)
▶ HCL-H50100	Close-up lens (0.5 m)

Annotations: For more detailed information and for additional accessories, please refer to the general catalogue.



IF Inner Focus **QF** QuickFrame **QZ** QuickZoom
VC Virtual Connector **Vformat** Variable Format **ZL** Zoom Limit

FUJIFILM

FUJIFILM Europe GmbH

Heesenstr. 31, 40549 Düsseldorf, Germany
 Tel.: +49 211-50 89 0, Fax: +49 211-50 89 344
 www.fujifilm.eu