

# Installation Instructions

## 227004 T-Bar Twist Clips by Draper

### Caution

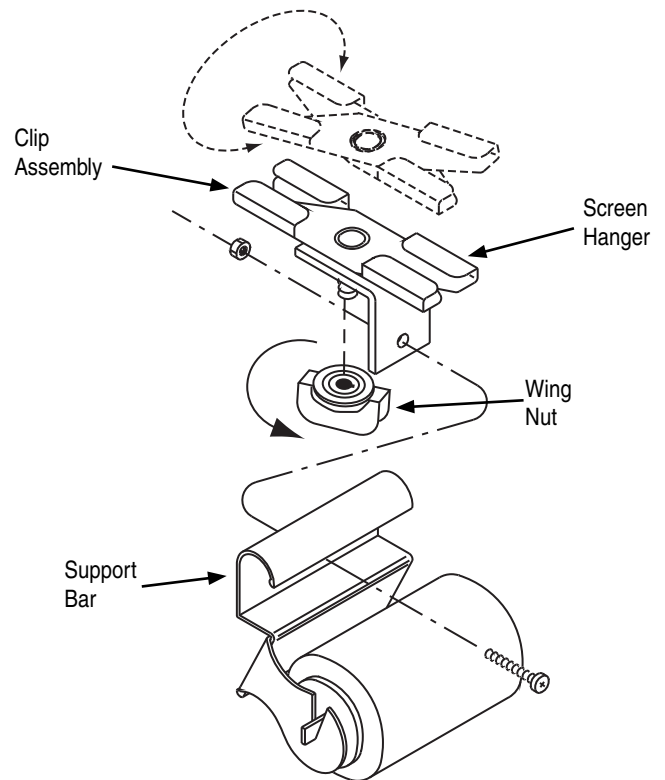
- ① Read and understand these instructions; keep them for future reference. Follow instructions carefully.
  - ② 227004 T-Bar Twist Clips are for use with V Screen projection screens; for Luma and Star screens through 70" wide, use part number 227016.
  - ③ Locate the screen where the audience can best see it, and where other room furnishings permit.
  - ④ Mount the screen so that the bottom of the picture, when screen is fully extended, will be above the heads of viewers.
  - ⑤ Screen should be installed level (using a carpenter's level).
  - ⑥ Nothing should be fastened to screen dowel or viewing surface.
- NOTE:** Make sure Twist Clips are properly tightened.

**Please Note:** The most stable installation is accomplished when the V Screen is attached across parallel T-irons, rather than to the same one.

- ① Mount the support bar to the clips using the machine screw and nut provided.
- ② Loosen the wing nut and spread the clip assembly apart.
- ③ The screen's support bar is pre-drilled on 48" centers on 50", 60" and 70" V-Screen models. Additional holes may be drilled into the support bar if needed. 84" V-Screen has 3 holes (one in the center, and two on the ends that are 39" from the center hole). The 96" V-Screen has 3 holes (one in the center, and two on the ends that are 45" from center). The 108" has 3 holes (one in the center, and two on the ends that are 51" from center). Additional holes may be drilled into the support bar if needed.
- ④ Place clip over the T-iron, and firmly squeeze the clip assembly back together, making sure the clip is **firmly seated** around the T-iron.
- ⑤ Use pliers to retighten the wing nut.
- ⑥ Test by trying to pull the twist clip open and by pulling down on the hanger. The clip should not pull open.

**Please Note:** Make sure the clip is fully tightened around the T-iron, and the wing nut is fully tightened. Poorly tightened clip assemblies or wing nuts allow the T-Bar Twist Clip to work loose. Screens over 84" wide require three T-Bar Twist Clips.

### T-Bar Twist Clip with V Screen



# DRAPER®

411 S. Pearl St., Spiceland, IN 47385 USA ■ 765-987-7999  
www.draperinc.com ■ fax 765-987-7142

Copyright ©2010 Draper Inc. Form 227004\_T-BarTwistClips\_Inst10 Printed in U.S.A.

If you encounter any difficulties installing T-Bar Twist Clips, call your dealer or Draper, Inc., Spiceland, Ind., (765) 987-7999; or fax (765) 987-7142.